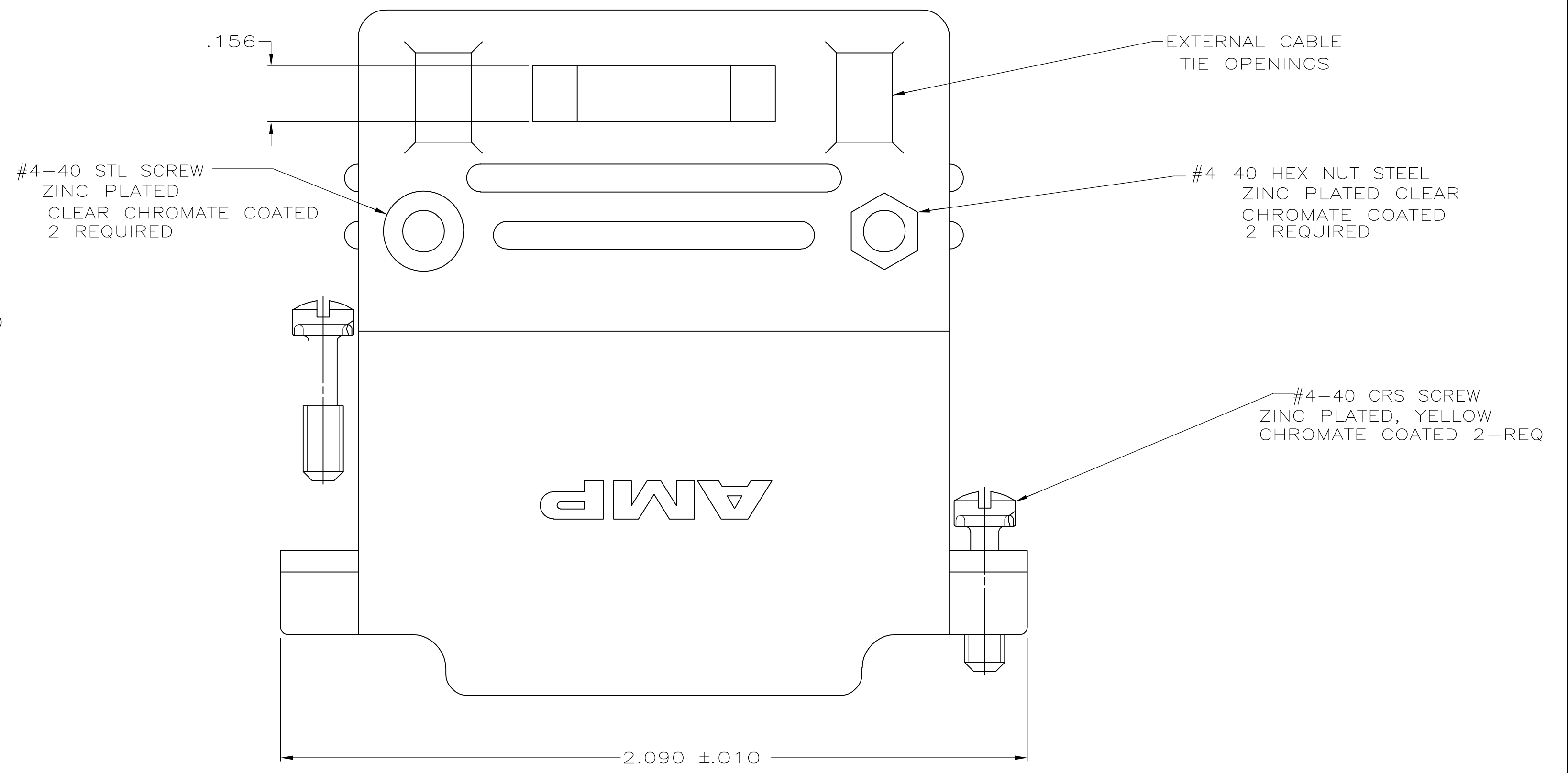
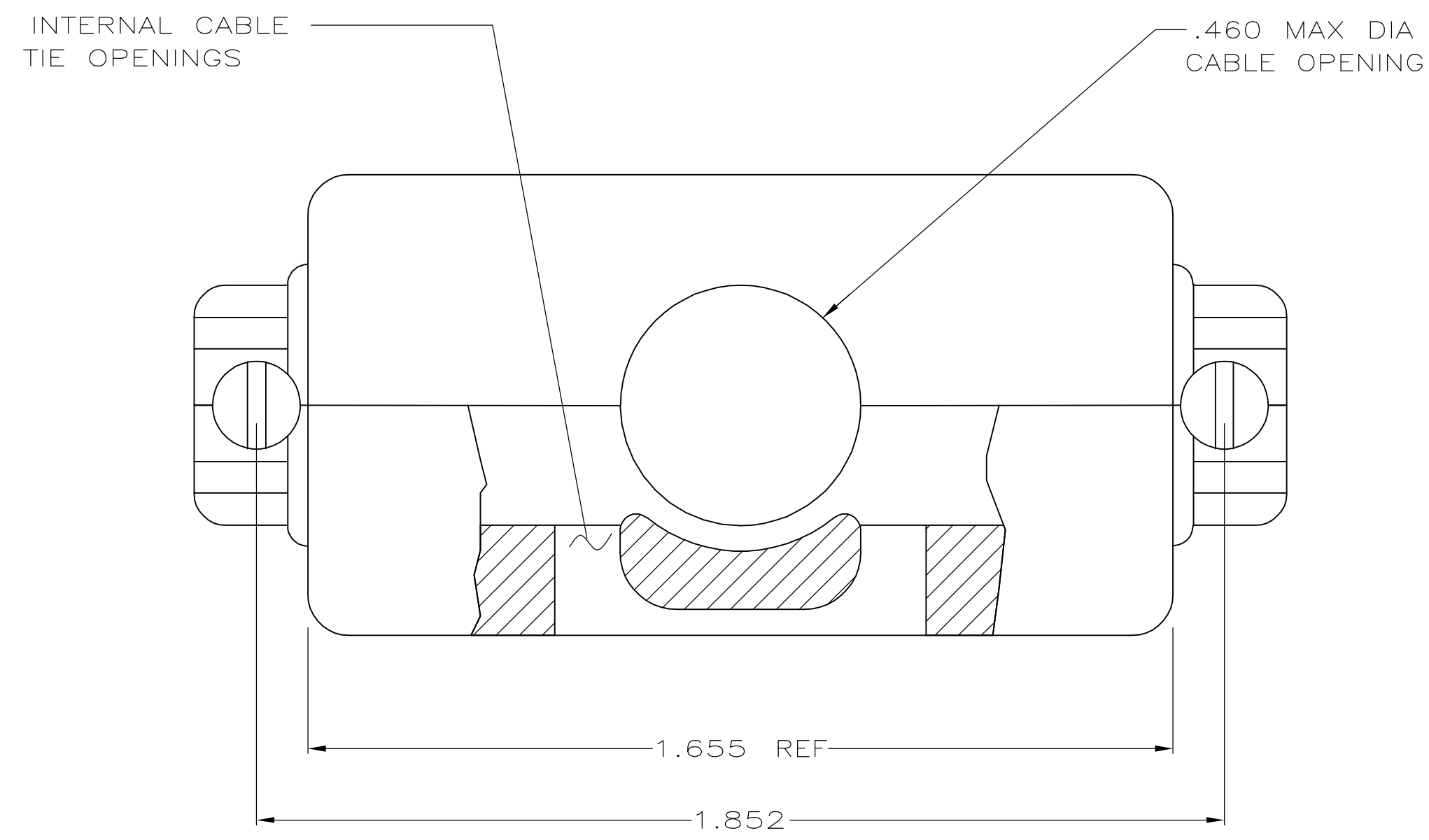
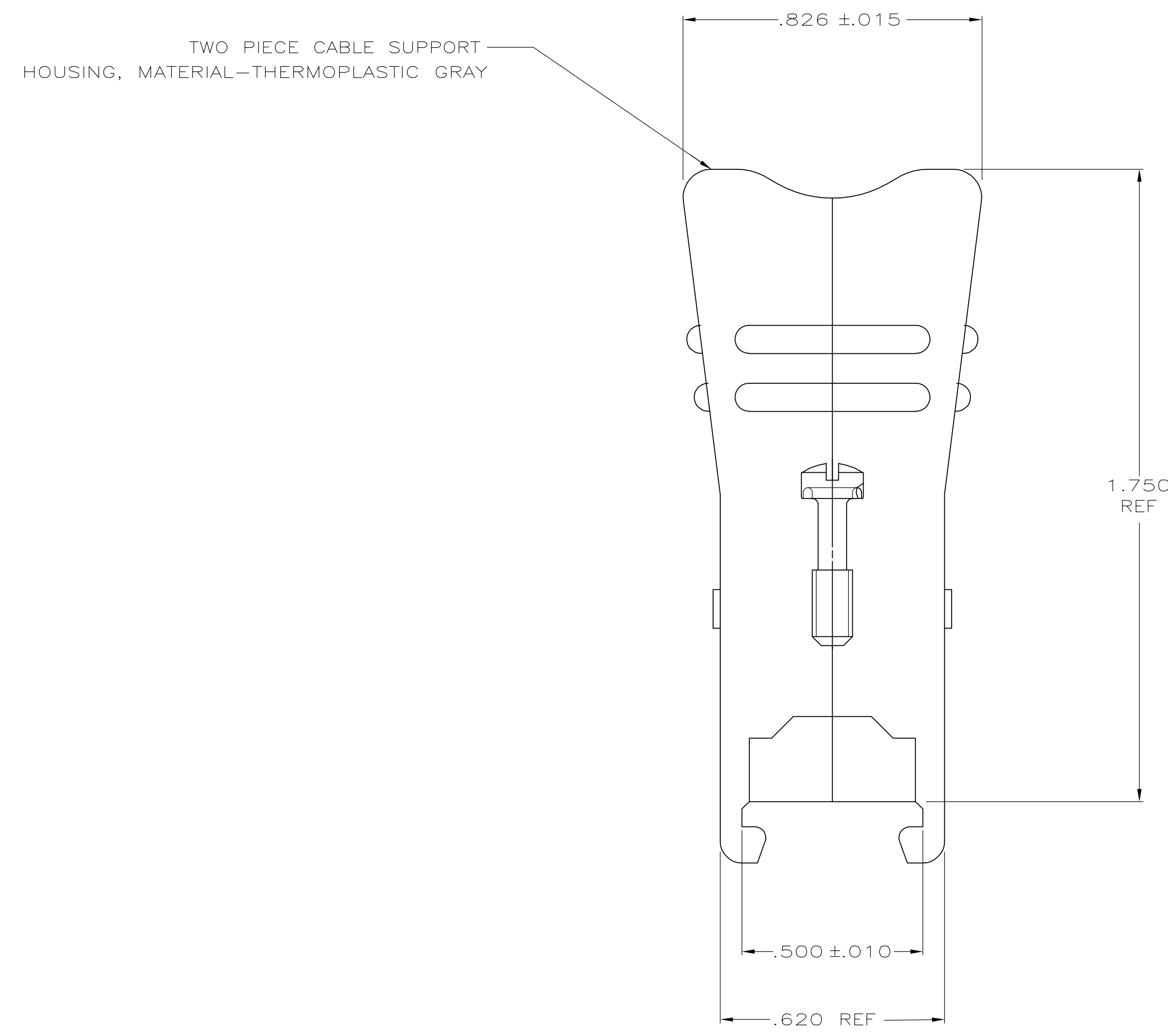


- 1 THIS PART WILL FIT ANY SIZE 3 PLUG OR RECEPTACLE IN THE AMPLIMITE SERIES .
- 2 ALL PARTS ARE PACKAGED UNASSEMBLED.
- ③ ONE KIT PER POLY BAG.



③	5745134-1
PACKAGING	PART NUMBER

THIS DRAWING IS A CONTROLLED DOCUMENT.		DWN R. RICHARDSON 15SEP05	<p>Tyco Electronics Corporation Harrisburg, PA 17105-3608</p>
DIMENSIONS: INCHES		CHK C. ROHDFE 15SEP05	
TOLERANCES UNLESS OTHERWISE SPECIFIED:		APPD M. WALMSLEY 15SEP05	NAME
0 PLC ± -			PRODUCT SPEC
1 PLC ± -			APPLICATION SPEC
2 PLC ± -			SIZE
3 PLC ± .005			CAGE CODE
4 PLC ± -			DRAWING NO
ANGLES ± -			RESTRICTED TO
MATERIAL SEE CALLOUTS	FINISH SEE CALLOUTS	WEIGHT -	A1 00779 C=5745134
CUSTOMER DRAWING		SCALE 4:1	SHEET 1 of 1 REV 0